

## **Other Mounting Items:**

Gooseneck Mounting System #1550

Gooseneck Mounting System with Ball Joint #1565

Magic Arm Mounting System #1631

Magic Arm Platform #1632

Communication Clipboard for Magic Arm Platform #1633

Easy Mount Accessory for Magic Arm Platform #1634

Light Duty Magic Arm #7756

Special Switch Mounting Kit #2100

Wheelchair Clamp #2026

Ball Joint #2030

1/4"-20 Stud 1" Length #2022

5/8"-27 Internal with 1/4"-20 bushing #2023

5/8-27 Bushing tube adapter #2024

Stay Put Easel #1485

---

### **For Technical Support:**

Call our Technical Service Department  
Monday through Friday, 9 a.m. to 5 p.m. (EST)  
1-800-TEC-TOYS or 1-800-832-8697  
customer\_support@enablingdevices.com

---

---

# **Adjustable Mounting System**

---

## **Catalog #1021**

### **User's Guide**



**Enabling Devices**

385 Warburton Avenue  
Hastings-on-Hudson, NY 10706  
Tel. 914.478.0960 / Fax 914.478.7030  
[www.enablingdevices.com](http://www.enablingdevices.com)

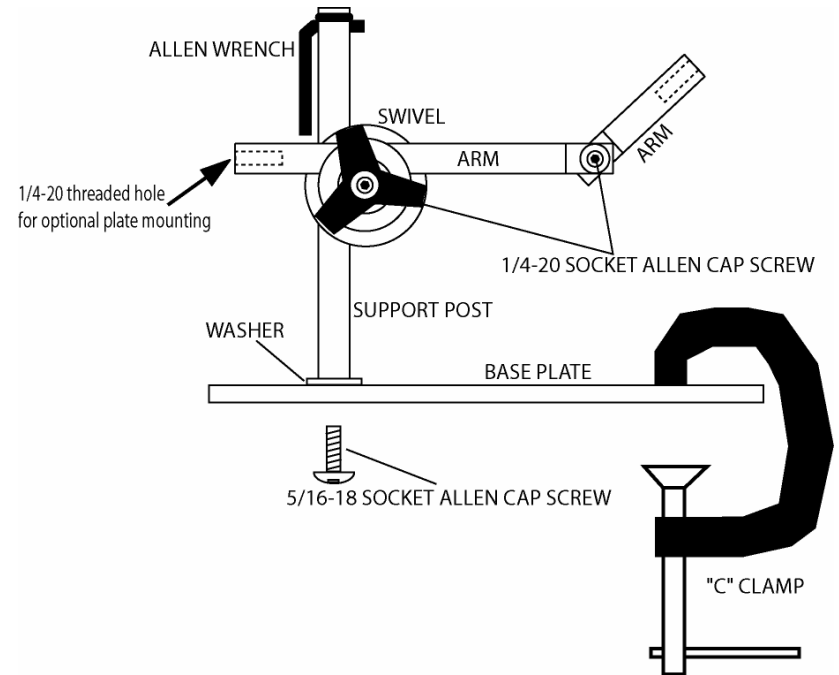
Easily mount your communicators!

Our new versatile mounting system goes from desktop to tabletop to wheelchair tray in seconds. Place the system where you want and use a 2" C clamp (included) to hold the base plate in position. System holds up to 5 lbs. The "T" shaped slot in the aluminum base allows unlimited front to back and left to right adjustment. You can adjust the swivel arm to any position within its full 360 degree range. The swivel locks in place by tightening an easy-to-grasp knob. A supplied Allen wrench is used to adjust the support post position. Weighs 3 lbs. Size: 12"L x 7"W x 5"H.

### **Operation:**

1. To change the positioning of the support post or extension arm you must use the supplied 3/16" Allen wrench. Make sure the Allen wrench is firmly seated in the screw head before loosening or tightening; otherwise the screw head will be permanently damaged. **Do not** attempt to tighten or loosen the locking limit nuts, they are preset from the factory.
2. To adjust rod position or the angle of the swivel, gently turn the black knob counter clockwise. If the knob is not backed off completely and you try to adjust the swivel, it can damage the mating surfaces of the swivel and void your warranty. When the arm/swivel is positioned where you want it, tighten the knob clockwise while holding rod in position. To move the support rod, turn over the plate, loosen the cap screw, slide the rod where you want it then tighten the cap screw clockwise while holding the rod in position.
3. The bottom of the support post is stepped to fit into the adjustment slot cut into the base. Before tightening the 5/16-18 support post screw, make sure the step is seated properly into the groove. Never try to change the position of the swivel, support post or arm unless the socket cap screws are completely loosened. Trying to make adjustments while the socket cap screws are tight will damage the mating surfaces of the mounting system.

4. Two pieces of Duo-lock Velcro are supplied so you can attach a communicator or switch to the 3x5 mounting plate. The 3x5 mounting plate can be fitted on either side of the arm by using a large Philips head screwdriver. The supplied Allen wrench is held in the support post by an "O" ring, simply press the Allen wrench into place to store it.



### **Care of Unit:**

The Adjustable Mounting System can be wiped clean with any mild household multi-purpose cleaner and disinfectant. We recommend Simple Green, which is a non toxic biodegradable all-purpose cleaner.

**Do not use abrasive cleaners,** as they will scratch the surface of the unit.

Rev 6/20/07